

Plunger Pumps

FEATURING

MANIFOLD: High strength forged brass for long term use.

BOLTS: Six 6mm grade 12.9.

PLUNGERS: A special thick solid ceramic for long life, strong durability and more resilience.

CRANKCASE: Precision die-cast, large cooling fins and anodized for maximum heat dissipation. Sight glass, fill and drain plugs.

BEARINGS: Oversized for maximum life and load disbursement, two ball bearings. Each bearing is held in position on the crankshaft and crankcase by snap rings. This assures positive alignment and centering of the connecting rods and crankshaft in relation to the crankcase, it also eliminates the crankshaft from floating.

VALVES, SEATS, AND SPRINGS: Stainless steel with specially designed Ultra Form material valve cages that are impervious to water absorption and provide long life and positive seating.

SEALS AND V-PACKINGS: Continuously lubricating for extended life.

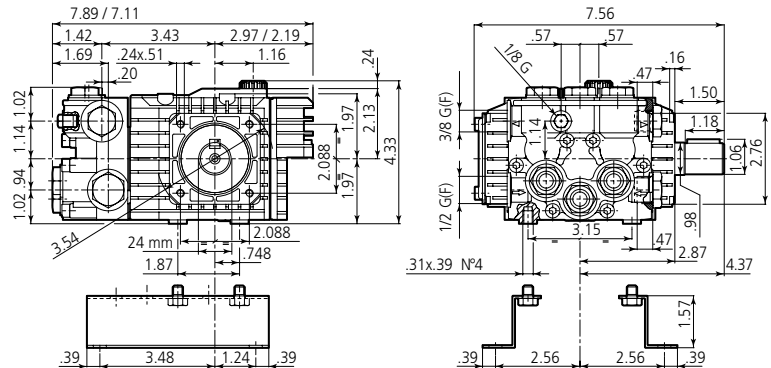
PLUNGER RODS: High strength stainless steel.

CONNECTING RODS: One piece special alloy aluminum based and bronze (+1800 PSI) oversized for maximum strength, load disbursement, and long life. Heavy pin area construction, for added load strength.

DIMENSIONS



XT N version Solid shaft pump ø 24 mm



SPECIFICATIONS

MODEL	MAX GPM	MAX LMP	MAX PSI	MAX BAR	POWER EBHP	BORE DIA MM	STROKE MM	CRANKSHAFT ID STAMP	WEIGHT LBS.
XT8.14N	2.11	8.0	2000	140	3.0	15	11.0	6	11
XT9.14N	2.37	9.0	2000	140	3.3	18	8.4	4	11
XT11.11N	2.90	11.0	1600	110	3.0	18	11.0	6	11
XT11.14N	2.90	11.0	2000	140	4.0	18	11.0	6	11

PSI ≤ 1740 = Oil Capacity = 8 oz Maximum Fluid Temperature = 140°F
 PSI ≥ 1740 = Oil Capacity = 10 oz Maximum Fluid Temperature = 140°F

Inlet Thread = 1/2" F
 Inlet Thread = 1/2" F

Discharge Thread = 3/8" F
 Discharge Thread = 3/8" F

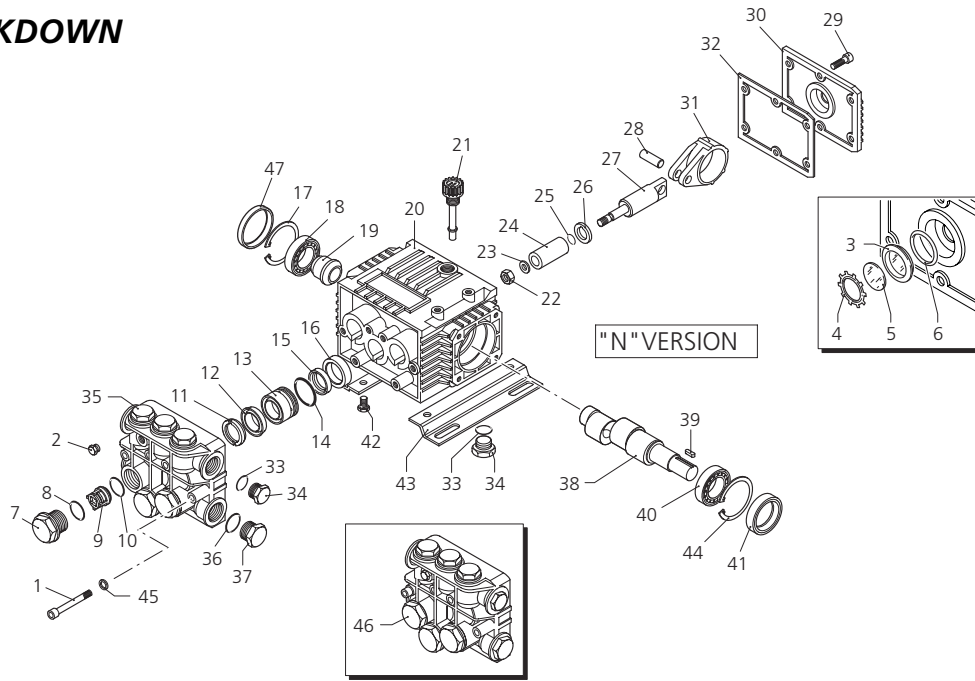
Torque Specifications Inch pounds (ft. lbs)

	HEAD	PISTON NUT	REAR COVER	SIDE COVER	VALVE CAP	CON RODS
PSI ≤ 1740	89 (7.5)	106 (8.8)	48 (4.0)	N/A	300 (25)	N/A
PSI ≥ 1740	137 (11)	106 (8.8)	48 (4.0)	N/A	300 (25)	N/A

SPECIAL NOTE: Use AR64516 Oil. First change oil after 50 hours of use. Then every 500 hours. This oil is specially formulated to provide correct lubrication properties for our pumps. **No** other oil is factory approved for these pumps.



PARTS BREAKDOWN



Pos.	Code	Description	Qty.	Pos.	Code	Description	Qty.	Legend			
1	680570	Screw *	6	32	1260040	Gasket	1	Ø 15	Ø 18	Ø 18	
	1322730	Screw **	6	33	740290	O-Ring	2	For ○	For □	For ▼	
2	620301	Plug	1	34	1980740	Plug 3/8" G Brass	2	XT8.10 *	XT10.10 *	XT9.14 *	
3	1260250	Oil indicator	1	35	1260021	Pump head	○ 1	XT8.12A *	XT10.12A *	XT9.15 **	
4	1260430	Snap ring	1		1320022	Pump head	● 1		XT11.07 *	XT10.15 **	
5	1780690	Disc	1		1262226	Pump head	□ 1		XT11.09 *	XT11.14 **	
6	1140450	O-Ring	1		1320020	Pump head	▼ 1		XT11.11 *	XT11.15 **	
7	1260162	Plug	6		1262220	Pump head	▲ 1			XT13.12 *	
	1260161	Plug w 1/8" outlet	6	36	180101	O-Ring	1			XT13.15 **	
8	960160	O-Ring	6	37	820361	Plug 1/2" G Brass	1				
9	1269050	Complete valve	6	38	1260180	Crankshaft (9 l/min)	1	For ●	For ■	For ▲	
10	880830	O-Ring	6		1260190	Crankshaft (10 l/min)	1	XT8.12 *	XT9.11 *	XT13.09 *	
11	1260140	Support ring Ø15	○ 3		1260200	Crankshaft (8-11 l/min)	1	XT8.14 *		XT13.12A *	
	1260141	Support ring Ø15	○ 3		1320260	Crankshaft (13 l/min)	1	XT8.15 **			
	1520120	Support ring Ø15	● 3	39	1380520	Key	1				
	1320340	Support ring Ø18	3	40	1320370	Bearing	1				
12	1271650	Gasket Ø15	3	41	1260750	Seal	1				
	1260221	Gasket Ø18	3	42	1260470	Screw	4				
13	1260151	Piston guide Ø15	3	43	1263890	Base	2				
	1320351	Piston guide Ø18	3	44	1260790	Circlip	1				
14	1260420	O-Ring	3	45	1381550	Washer	6				
15	1260440	Gasket Ø15	3	46	1269218	Pump head assembly	○ 1				
	1260450	Gasket Ø18	3		1269221	Pump head assembly	● 1				
16	1260460	Seal	3		1269250	Pump head assembly	□ 1				
17	1260790	Circlip	1		1269222	Pump head assembly	▼ 1				
18	1320370	Bearing	1		1269219	Pump head assembly	■ 1				
19	1320330	Bushing	1		1269220	Pump head assembly	▲ 1				
20	1320010	Pump housing	1	47	1266740	Cap	1				
21	880130	Oil plug	1								
22	1260110	Nut	3								
23	1260100	Washer	3								
24	1260120	Piston Ø15	3								
	1260210	Piston Ø18	3								
25	480480	O-Ring	3								
26	1260091	Spacer	3								
27	1260070	Guiding piston	3								
28	1260080	Piston pin	3								
29	1260760	Screw	6								
30	1269101	Complete cover (low)	1								
	1329010	Complete cover (high)	1								
31	1260060	Aluminum con rod	3								
	1320140	Bronze con rod	3								

Repair Kits							
Water Seal		Pistons		Valve		Oil Seals	
Kit 1866 Ø15	Kit 1874 Ø18	Kit 2628 Ø15	Kit 2629 Ø18	Kit 1864	Kit 1872		
Pos.	Qty.	Pos.	Qty.	Pos.	Qty.	Pos.	Qty.
11	3	22	3	9	6	16	3
12	3	23	3	10	6	32	1
14	3	24	3			41	1
15	3	25	3			47	1
		26	3				

Special Parts		
Code	Description	Qty.
2815	Kit for up to 180° F Ø15 High Temp	1
2816	Kit for up to 180° F Ø18 High Temp	1
2029	Viton water seals Ø15	1
2030	Viton water seals Ø18	1

